

1

2

3

4

# SPECIFICATION

受 控

## 1. SCOPE

A

This specification is applied to the piezo-element.

## 2. SPECIFICATION

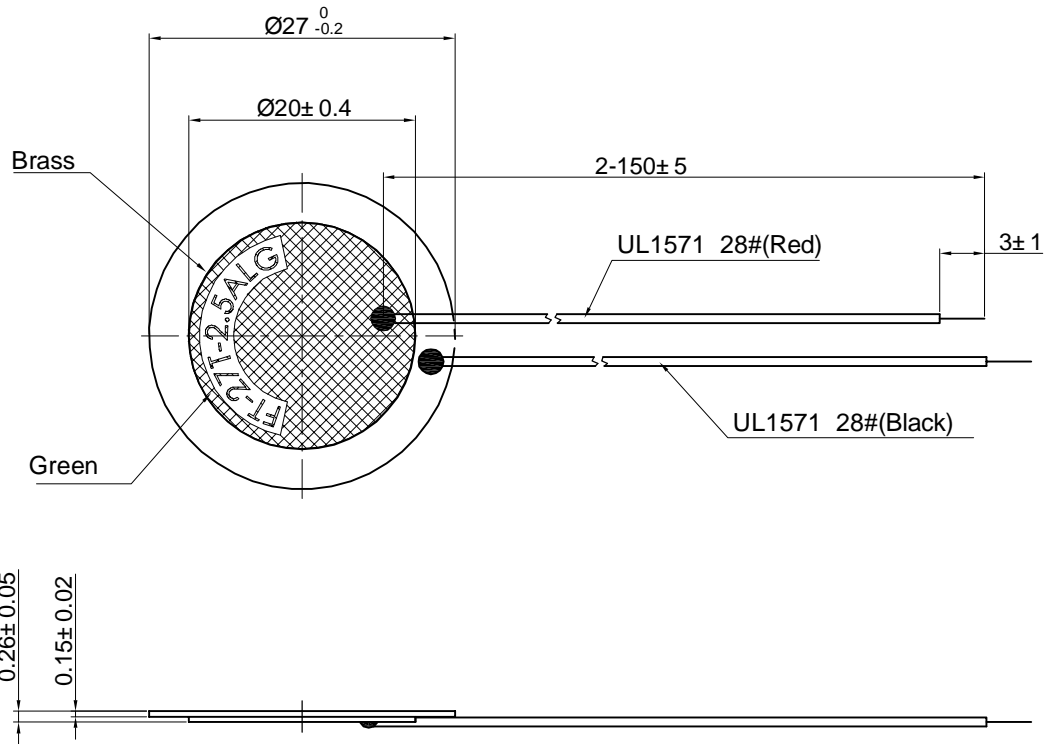
(at 25°C)

2.1 Resonant Frequency	:	2.5 ± 0.5 KHz
2.2 Resonant Resistace	:	500 Ω max
2.3 Capacitance	:	50000pF ± 30% at 100Hz
2.4 Input Voltage	:	30Vp-p max
2.5 Operating Temperature	:	-20~+60°C
2.6 Storage Temperature	:	-30~+70°C
3. DIMENSION	:	as per figure

A

B

B



C

C

D

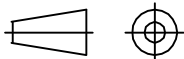
D

TOLERANCES UNLESS NOTED OTHERWISE

.X ±  
.XX ±  
.XXX ±

90° FORMED +2°  
ANGLES -1°

FIRST ANGLE PROJECTION



DRAWN

DESIGN

CHECKED

APPROVED

DATE

14.09.15

CONTRACT NO.

AGENCY APPROVAL

KEPO MODEL NO.

FT-27T-2.5AL150-G

DWG NO.

OEM2086

**KEPO CO., LTD.**

CUSTOMER

QUARTZ-1

CUSTOMER NO.

VER

1.1

SCALE

UNIT

mm

SHEET

TEL:(+86)574-88370330

FAX:(+86)574-88370329

1

2

3

4